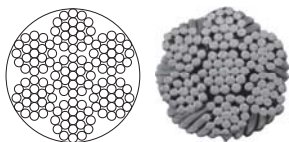


Funi di acciaio / Steel ropes / Cables en acero inox



AISI 316

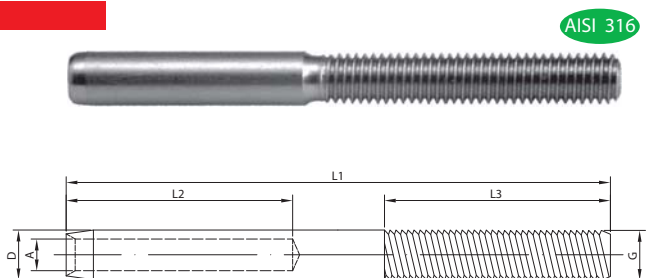
FORNITO IN MULTIPLI DI 10 metri (fornitura minima 10 mt)

SUPPLIED IN 10 meters MULTIPLE (minimum order 10 mt)

VENDIDO EN MULTIPLES DE 10 metros (pedido minimo 10 mt)

COD.	Dim. mm	kg/100 m
22.001X.16S	4,0 mm	6,14
22.002X.16S	6,0 mm	13,80
22.003X.16S	5,0 mm	9,51

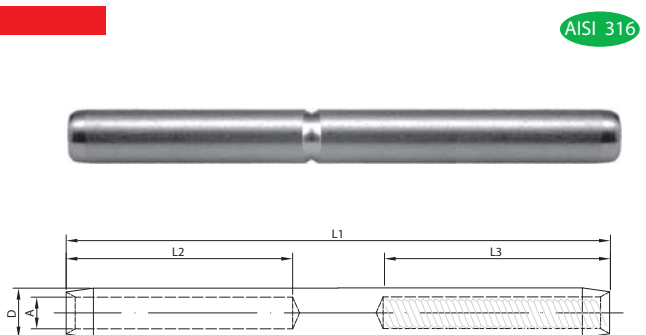
Funi 7x19 in acciaio inossidabile / 7x19 Steel rope cables / Cables 7x19 en acero inox



AISI 316

COD.	G	fune mm ropes / cables	L1	L2	L3	D	A	kg/100	
22.010X.16S	Dx	M6	4,0	88,0	30,0	50,0	7,5	5,5	1,2
22.011X.16S	Dx	M8	6,0	98,0	40,5	50,0	9,0	6,5	2,6
22.012X.16S	Sx	M6	4,0	88,0	30,0	50,0	7,5	5,5	1,2
22.013X.16S	Sx	M8	6,0	98,0	40,5	50,0	9,0	6,5	2,6

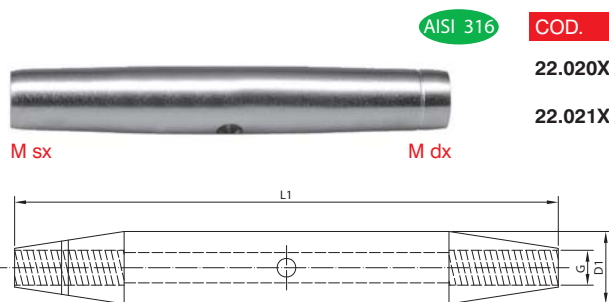
Terminale a filettatura esterna / Outside threaded terminals / Tensor rosca exterior (agujero interior)



AISI 316

COD.	G	fune mm ropes / cables	L1	L2	L3	D	A	kg/100	
22.016X.16S	Dx	M6	4,0	88,0	30,0	50,0	7,5	5,5	1,2
22.017X.16S	Dx	M8	6,0	98,0	40,5	50,0	10,0	6,5	2,6

22.016X.16S Terminale con filetto interno M6 / Terminal with internal thread M6
Terminal rosca interior M6
22.017X.16S Terminale con filetto interno M8 / Terminal with internal thread M8
Terminal rosca interior M8



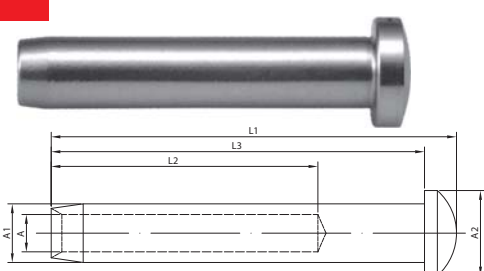
AISI 316

COD.	G	L1	D1	kg/100
22.020X.16S	M6	65,0	10,0	1,7
22.021X.16S	M8	80,0	13,5	4,3

M sx

M dx

Corpi del tenditore / Bodies / Cuerpo tensor



AISI 316

COD.	fune mm ropes / cables	L1	L2	L3	A	A1	A2	kg/100
22.030X.16S	4,0	35,0	25,0	32,0	4,4	6,35	10,0	0,7
22.031X.16S	6,0	52,0	40,0	47,0	6,5	9,0	14,0	1,9

Terminali con testa bombata / Domeheads
Terminal cabeza redonda (agujero interior)

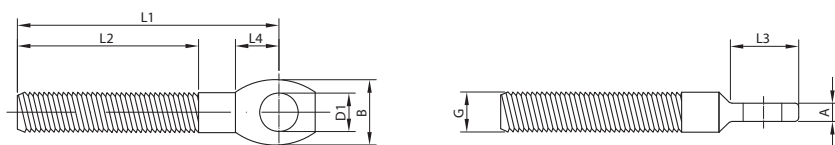
Funi di acciaio / Steel ropes / Cables en acero inox

COD.	G	D1	L1	L2	L3	L4	A	B	kg/100
22.040X.16S	M6	5,3	48,0	35,0	13,0	7,0	3,75	11,0	1,2
22.041X.16S	M8	6,3	57,0	40,0	16,0	8,5	4,50	13,5	2,2
22.045X.16S	M8	8,0	57,0	40,0	18,0	9,0	4,50	13,5	2,2

AISI 316



Terminale con occhio passante centrale
Outside threaded eye terminals
Terminal agujero centrado pasante

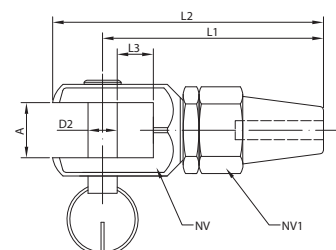


COD.	fune mm ropes / cables	A	L1	L2	L3	D2	NV	NV1
22.050X.16S	4,0	8,0	62,0	73,0	8,0	8,0	19,0	14,0
22.051X.16S	6,0	12,0	82,0	95,0	12,0	12,0	27,0	19,0

AISI 316



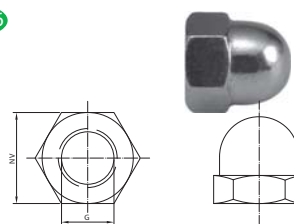
Terminale a mandrino / Jaw forks
Terminal apriete rapido



COD.	NV	G	kg/100
22.060X.16S	10,0	M6	0,4
22.061X.16S	13,0	M8	0,9

AISI 316

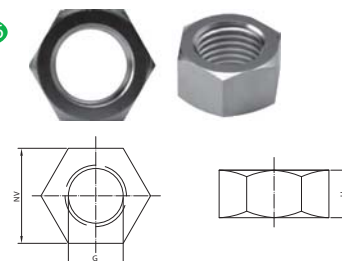
Dadi ciechi in acciaio inossidabile / Stainless steel
top nuts / Tuercas ciegas en acero inox



COD.	G	NV	H	kg/100
22.070X.16S	M6	8,0	4,0	0,10
22.071X.16S	M8	10,0	5,0	0,15

AISI 316

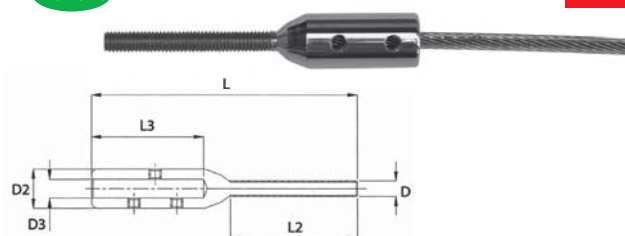
Dadi in acciaio inossidabile / Stainless steel lock nuts
Tuercas en acero inox



COD.	cavo	D	D2	D3	L	L2	L3
22.080X.16S	4	M6	12	4,5	101	50	37
22.081X.16S	6	M6	14	6,5	101	50	37

AISI 316

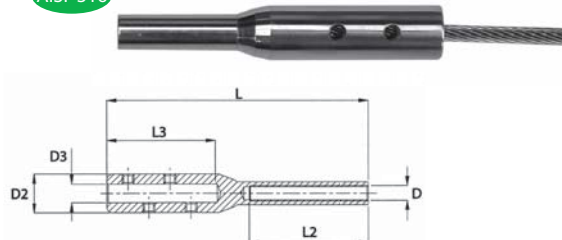
Terminale con viti di fissaggio / Terminal with fixing
screws / Tensor rosca exterior



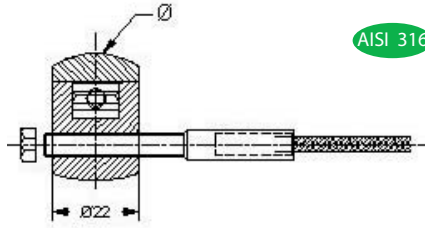
COD.	cavo	D	D2	D3	L	L2	L3
22.090X.16S	4	M6	12	4,5	75	36	20,5
22.091X.16S	6	M6	14	6,5	75	36	35,5

AISI 316

Terminale con viti di fissaggio - filetto interno / Terminal with
fixing screws - thread inside / Tensor rosca interior



Funi di acciaio / Steel ropes / Cables en acero inox

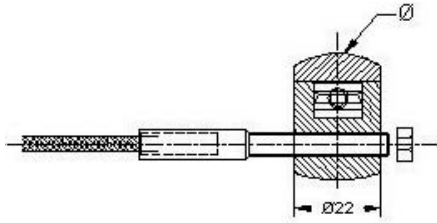


AISI 316

COD. Ø

22.200X.16S 33,7 mm
22.201X.16S 42,4 mm

22.200X.16S Supporto per fune da 4 mm / 4 mm rope holder
Soporte para cable 4 mm
22.201X.16S Supporto per fune da 6 mm / 6 mm rope holder
Soporte para cable 6 mm

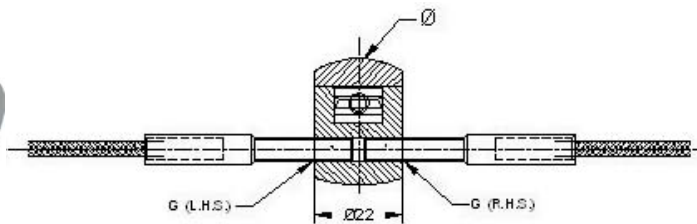


AISI 316

COD. Ø

22.210X.16S 33,7 mm
22.211X.16S 42,4 mm

22.210X.16S Supporto per fune da 4 mm / 4 mm rope holder
Soporte para cable 4 mm
22.211X.16S Supporto per fune da 6 mm / 6 mm rope holder
Soporte para cable 6 mm

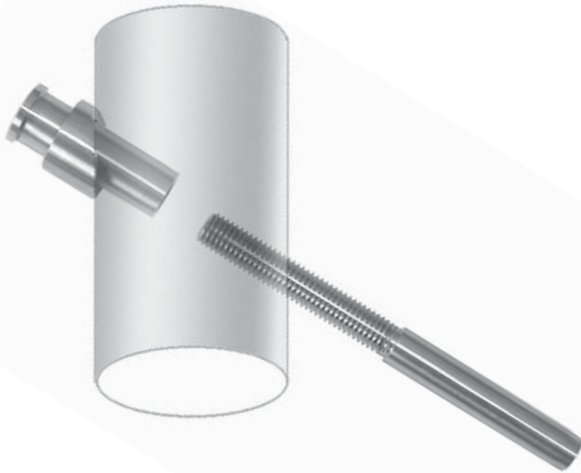


AISI 316

COD. Ø

22.220X.16S 33,7 mm
22.221X.16S 42,4 mm

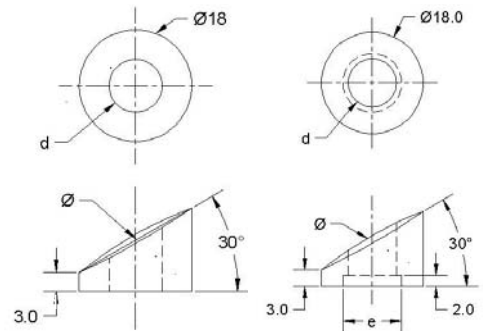
22.220X.16S Supporto centrale doppio filetto M6 per fune da 4mm
Central holder, double thread M6 for 4mm rope
Soporte central doble, rosca M6 para cable 4 mm
22.221X.16S Supporto centrale doppio filetto M8 per fune da 6mm
Central holder, double thread M8 for 6mm rope
Soporte central doble, rosca M8 para cable 6 mm



AISI 316

COD. d Ø e

22.130B.16S 10 mm 42,4 mm 12 mm
22.131B.16S 12 mm 42,4 mm 14 mm



AISI 316

COD. d d1 e M

22.140X.16S 10 mm 9,5 mm 12 mm M6
22.141X.16S 12 mm 11,5 mm 14 mm M8



Esempio di applicazione
Application example
Ejemplo de aplicacion

01.050B.04S
16.001B.04S
17.120B.04S
17.130B.04S
17.150B.04S
11.011B.04S
22.201X.16S
22.070X.16S
22.040X.16S
22.011X.16S
22.002X.16S

